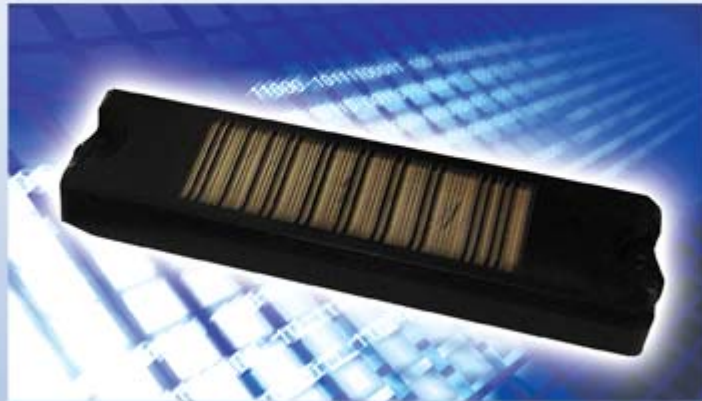
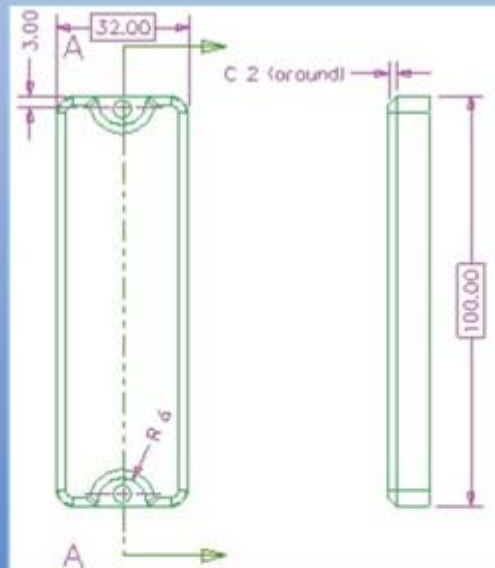


TUM-004: UHF Passive Metal Tag

High Performance, Best in Market



**TUM-004: UHF Passive Metal Tag
(High Performance)**



FEATURES

- High performance and durable metal tag
- EPC Global Class 1 Gen 2 , 860-960MHz
- User accessible memory of 96 bits
- Work extremely well in harsh and outdoor environment and especially for tagging on metal surface, for instance
 - Tagged on racking
 - Rubbish bin & shelving
 - Metal/Non-Metal Pallet Tracking
 - Asset tracking
 - Metal/Non-Metal Shelving tracking

Technical Information

Part number	TUM-004
Supported Standard (UHF)	EPC Class 1 Gen 2 compliant
Resonance Frequency (at +25° C) (UHF)	860MHz ~ 960MHz
Total Memory (UHF)	96 bits
Dimensions	**100mm x 32mm x 10mm
Weight	28 ± 0.5 grams
Case Material	PC/ABS/TPU
Operating temperature	-40° C to +85° C
Storage temperature	+20°C, 50%RH , -25° C to +100° C
HTS	50°C, 50hrs (PC/ABS), 80°C, 30hrs (TPU)
Inlay Used	UPM Raflatec Hammer
Logo Identification	CO2 / Yag laser marking

IE TECHNOLOGY COMPANY LIMITED

85/3 RANGNAM ROAD, RAJTHEVEE, BANGKOK 10400 THAILAND
Tel.: +66(0) 2642 6700 Fax.: +66(0) 2642 4250 <http://www.iet.co.th>

